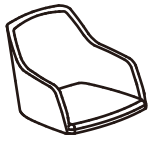
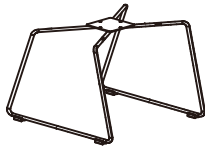


Part # CH-DNLA XX

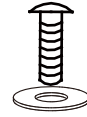
210916

**PARTS**

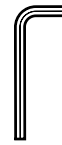
A



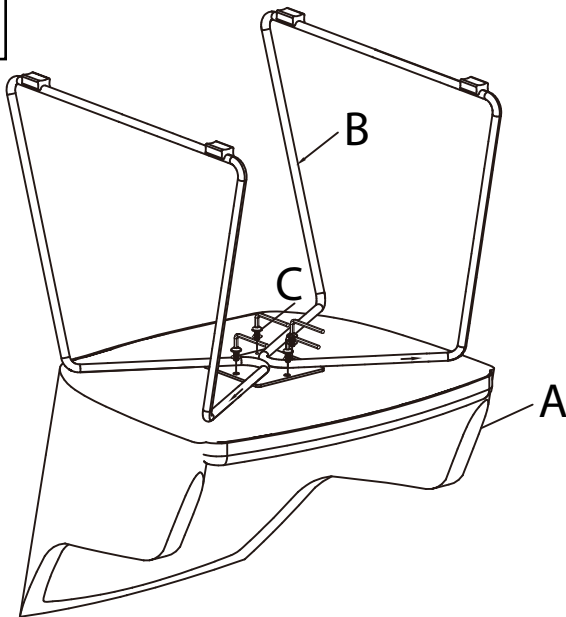
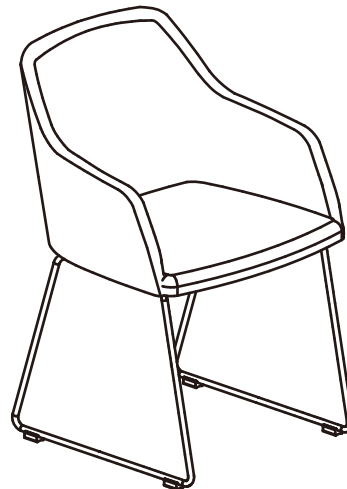
B

x4  
6X22mm

C



D

**1****2**

Do not over tighten.

Do not use power tools to assemble.